

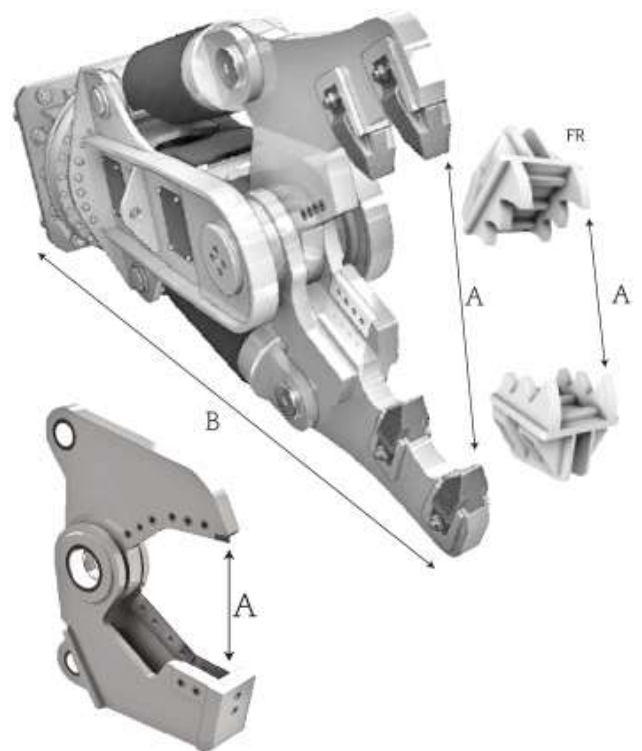
CP2000

CP series

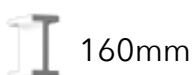


TECHNICAL SPECIFICATIONS

Working weight	2000 Kg
Excavator weight	21/28 ton
Cylinder force	90 t
Cylinders working pressure	350 bar
Cylinder oil flow	170/210 l/min
Rotation engine pressure	100 bar
Rotation oil flow (Min/Max)	10/12 l/min
Max jaws opening (A) PR	815 mm
Max jaws opening (A) SC	440 mm
Max jaws opening (A) FR	--
FR Kit (to be mounted on PR jaws)	740 mm
Total height (B)	2230 mm
Rotation 360°	hydraulic



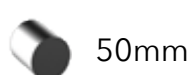
Cutting Data profile SC Jaws



160mm



140mm



50mm